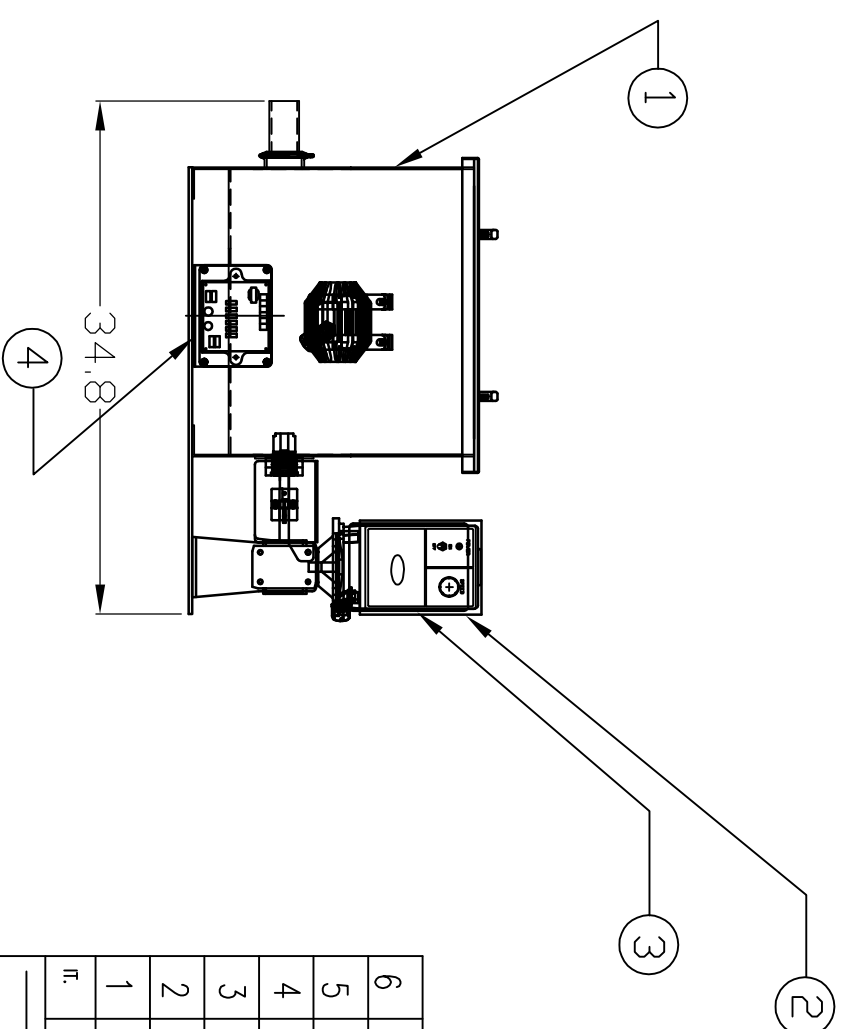
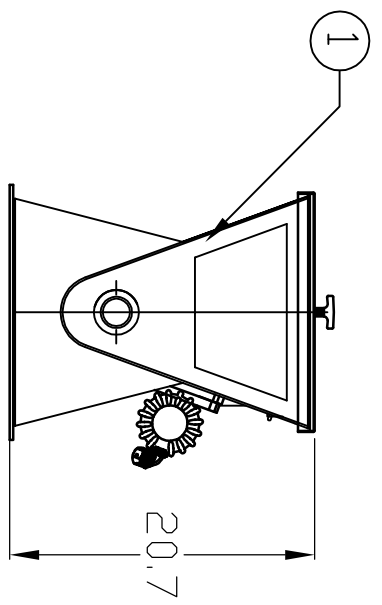
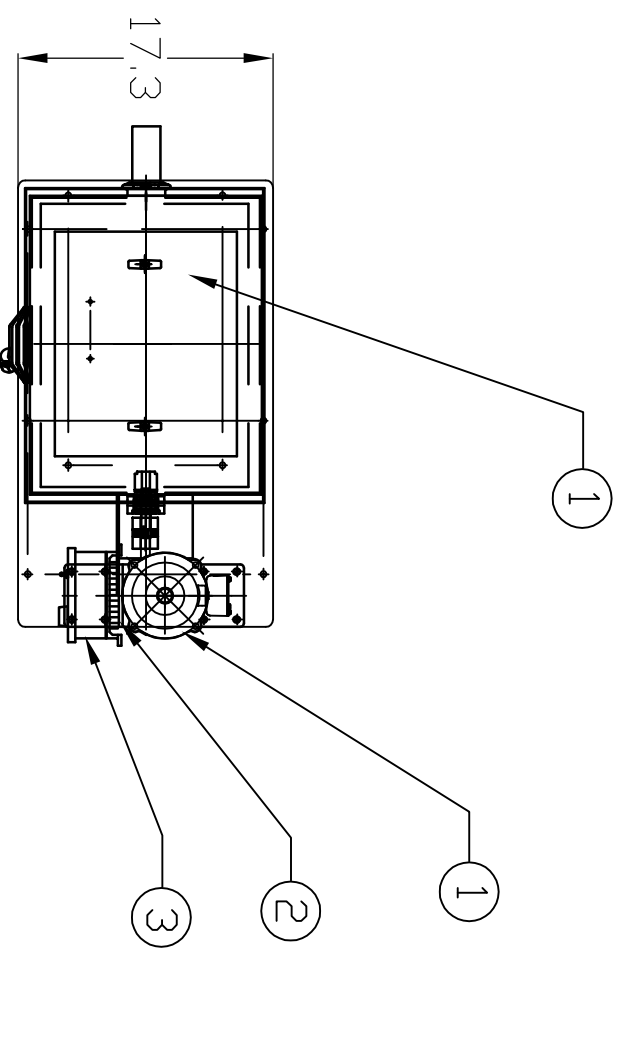


REV	DATE	DESCRIPTION



DO NOT SCALE PRINT
 UNLESS NOTED OTHERWISE
 ALL DIMENSIONS ARE IN INCHES:
 TOLERANCES ARE AS FOLLOWS:
 FRACTIONAL DECIMALS ANGLES
 6⁺ LESS ±1/32 X ±.03 ±1/4°
 6⁻ OVER ±3/32 .XX ±.01 INCLUDED
 .XXX ±.005 IMPLIED 90°
 REMOVE ALL BURRS AND SHARP EDGES

6	1	Auger Feeding Accessories	12201	Stainless Steel
5	1	Electrical Diagram	BE-10001-07	
4	1	Timer Controller, Vibrator	BS-10120-00	
3	1	Controls, DC Motor	AP-10100-01	
2	1	Mounting Plate for Controls	BB-10124-01	304 Stainless Steel
1	1	VF-1 Feeder Assembly	BS-10041-04	304 Stainless Steel
IT.	QUAN	DESCRIPTION	PART NO.	MATERIAL

AUGER
Feeders, LTD.
 325 Westtown Road
 West Chester, Pennsylvania 19382 USA
 (610) 296-9186 voice
 (610) 296-8880 fax

TITLE: **ASSEMBLY: Volumetric VF-1 Feeder**
Basic Controls & Features

FIRST USED	DRAWN BY	JET	REV.	DRAWING NO.
ASSEM. DRWG NO.	CHK'D BY			BA-10147-00
SCALE	APPR'D BY		DATE	11/8/07
N/A				SHEET 1 OF 1

CONFIDENTIAL INFORMATION
 THIS DRAWING AND ALL INFORMATION CONTAINED THEREIN IS THE REMAINS THE PROPERTY OF AUGER FEEDERS, Ltd. AND IS CONFIDENTIAL. IT IS SUBMITTED AND MAY BE USED ONLY IN CONNECTION WITH AUGER FEEDERS PROPOSAL AND / OR IT'S CUSTOMER'S ORDERS. IT SHALL NOT BE DISCLOSED TO OTHERS OR COPIED WITHOUT AUGER FEEDERS SPECIFIC WRITTEN CONSENT AND SHALL BE IMMEDIATELY RETURNED TO AUGER FEEDERS LTD. UPON REQUEST.